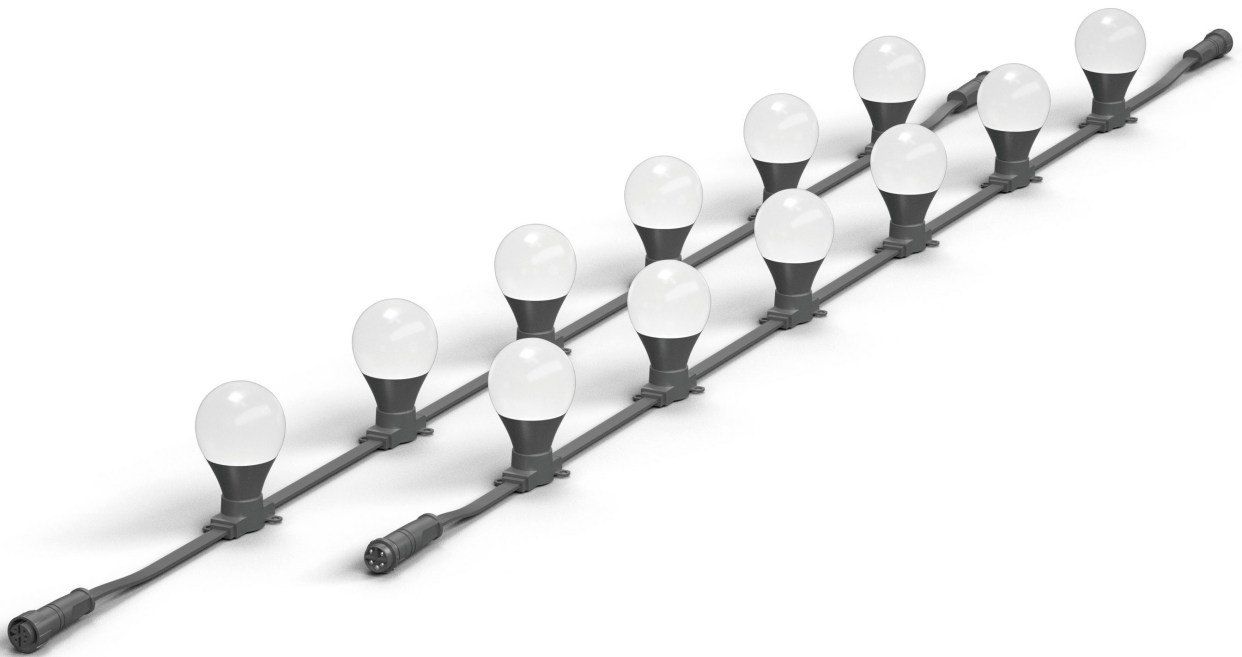


DMX LED Festoon

RGB/RGBW Pixel-mappable Festoon Bulb



Features

- √ 3D 360° LED Bulb
- √ Built-in DMX512
- √ Pixel Mappable
- √ Digitally Addressable
- √ Custom Pixel Pitch
- √ RGB/RGBW Full Color
- √ Static Color Available
- √ Expandable String
- √ Unparallel Versatility
- √ IP65 All-weather Lighting

Specifications

Physical	Item Code	FESTOON--D60-RGB (RGB)
		FESTOON -D60-RGBW (RGBW)
	Body Material	Injection molded PVC
	Base	Black or milky, PVC
	Cable	H3*W9.8mm, flat PVC (black or white)
	Inner Wire	Pure copper, 2*0.75mm ² + 3 x 0.3mm ²
	Net Dimension	60*53*96mm (2.36*2.07*3.54")
	Net Weight	Approx. 80g (excl lead in & out)
	Pixel Pitch	200mm (customization options available)
	In/Out Lead	200mm (customization options available)
	Max Qty/Strand	100 pixels
	IP Rating	IP65
	Other	Expandable string to form certain length

Optical	LED Source	6 x RGB SMD3535 LED
		6 x RGBW SMD3535 LED (W =Warm White, Natural White or Cool White)
	LED Lifetime	50,000 hours
	Viewing Angle	360°

Electrical	Input Voltage	24 VDC
	Max Power	1.44W (RGB)
		1.92W (RGBW)
	Max Current	60mA (RGB)
		80mA (RGBW)
Electrical Safety	III	

Photometric	Efficacy	RGB: 29lm/W
		RGBW: 56.3lm/W (R+G+B+Warm White)
		RGBW: 56.9lm/W (R+G+B+Natural White)
		RGBW: 57.4lm/W (R+G+B+Cool White)
	Color Resolution	8-bit RGB: 256 ³ = 16.7 million
		8-bit RGBW: 256 ⁴ = 4.294 trillion
		16-bit RGB: 65536 ³ = 281.4 quadrillion
		16-bit RGBW: 65536 ⁴ = 18.4 quintillion

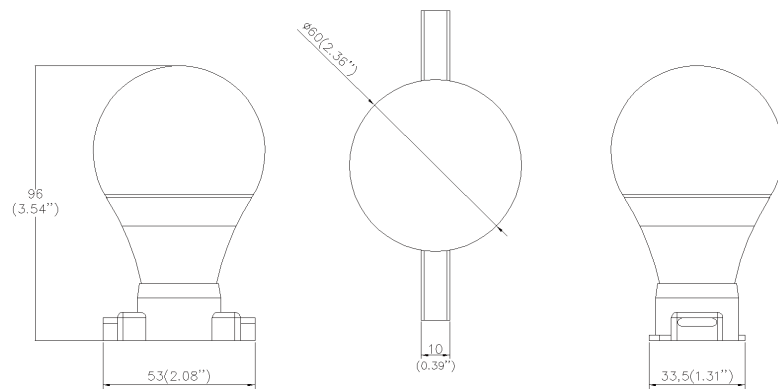
Control	DMX /Pixel	1 x DMX RGB pixel (RGB)
		1 x DMX RGBW pixel (RGBW)
	DMX Channels	R/G/B 3 DMX channels (RGB)
		R/G/B/W 4 DMX Channels (RGBW)
	Max Qty/Universe	170 pixels (RGB)
		128 pixels (RGBW)
Protocol	USITT DMX512A 44F/S	
Connection	Serial	

Thermal	Operating Temp	-40° to 50°
	Storage Temp	-50° to 80°
	Humidity	98% max
	Cooling	Passive

Physical Dimensions

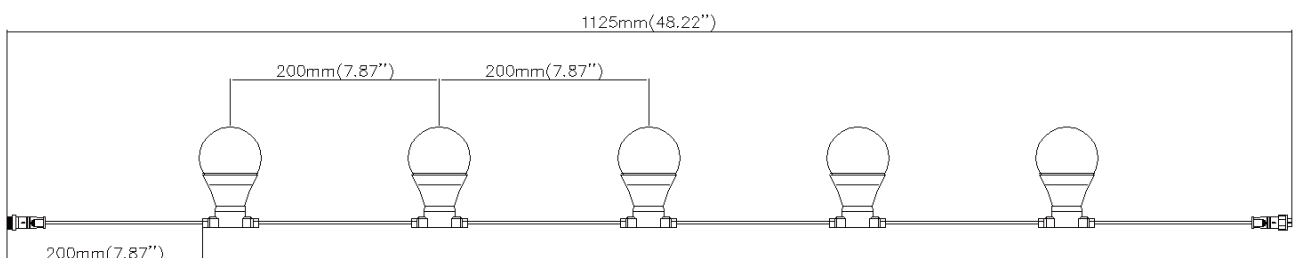
(mm & inch)

Pixel Ball Dimension



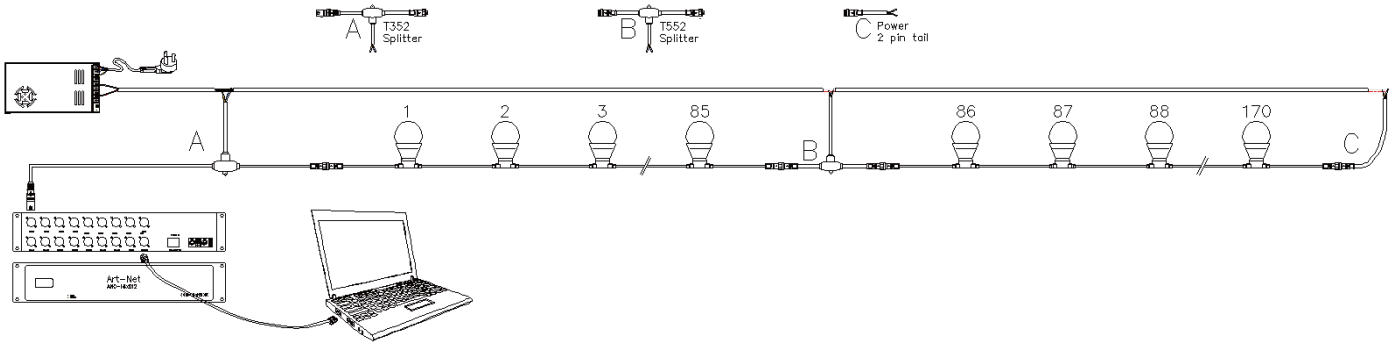
Cable Customization

LED Innovator support cable length customization for pixel pitch, incoming lead and outgoing lead. Refer to the length you need, please reach out to our team to discuss your project needs.

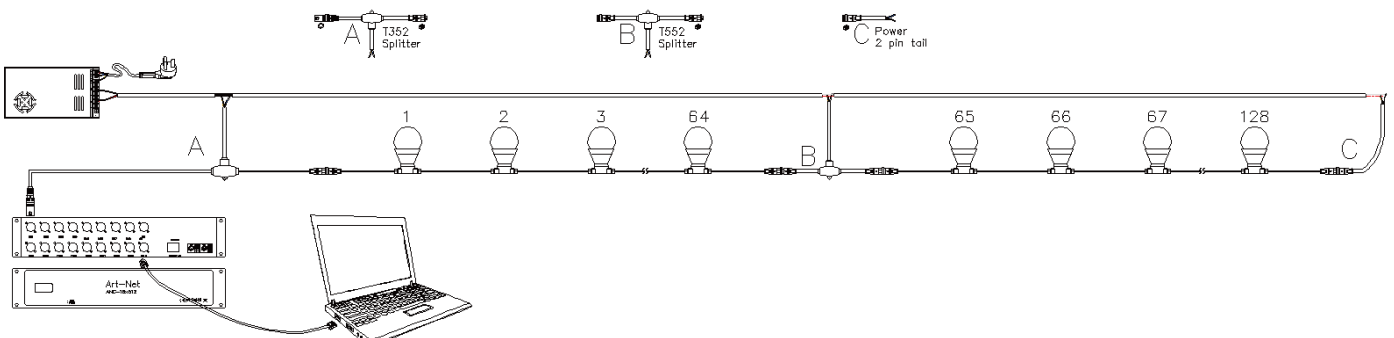


Wiring Diagram

Serial Connection (RGB)



Serial Connection (RGBW)



Accessories



XLR Splitter



Splitter



Power Tail



5 Pin Extension



3 Pin XLR Extension



5 Pin XLR Extension

Applications

- Stage
- Bridge
- Concert
- Touring
- Artistic
- Theater
- Museum
- TV Studio
- Exhibition
- Nightclub
- Theme Park
- Trade Show
- Public Space
- Shopping Mall
- Lighting Show

Warranty

1. A 1-year warranty is given from the date of purchase. The warranty is for free repair or replacement and covers manufacturing faults only.

2. Warranty exclusions below:

- Any man-made damages caused from improper operation, or connecting to excess voltage and overloading.
- The product appears to have excessive physical damage.
- Damage due to natural disasters and force majeure.
- The product has been replaced by a brand new product.